



sensi



Sensi Lite smart thermostat submittal sheet

Job Name _____ Location _____ Date _____

Purchaser _____ Installer _____

Submitted To _____ For RNC R&R Commercial

1F76U-22WFB

UNIVERSAL – WI-FI
RESIDENTIAL/LIGHT COMMERCIAL

APPLICATION

System Type: Universal: Single-Stage, Multi-Stage or Heat Pump

Stages: Single Stage 1H/1C, Multi-Stage 1H/2C or 2H/1C, Heat Pump 2H/1C

Terminals: R, C, W/E, G, Y, O/B/*

Operating specs

Power source

Hardwire, Power Sharing

Voltage

24 VAC

Wi-Fi signal

2.4 GHz

Terminal load rating

1.5A per terminal; 2.5A maximum all terminals combined

Heat differential (conv. or aux/gas/oil/elec)

Fast 0.5°F, Med. 0.75°F, Slow 1.9°F

Cool differential (central air or heat pump)

Fast 0.9°F, Med. 1.2°F, Slow 1.7°F

Operating ambient temperature

32°F to +105°F (0°C to +41°C)

Temperature setpoint (heating – high limit)

99°F (37°C)

Temperature setpoint (cooling – low limit)

45°F (7°C)

Operating relative humidity

90% non-condensing max

Product features

Data privacy protection

Does not sell personal information or leverage thermostat activity data for other targeting/advertising purpose*

Program style

7-Day Programmable, Geofencing or Non-Programmable

Performance features

Auto changeover (heat/cool), early start, backlight on keypress or continuous with common

Security features

Total keypad lockout

Setpoint temperature limits

Service reminders

HVAC maintenance, air filter, uv bulb, humidifier pad, other

Smart home compatible

Amazon Alexa, Google Assistant, Samsung SmartThings

Title 24 compliant

Accessories

Wallplate: (white) SA6W (6.75" x 4.50")

Wallplate: (black) SA6B (6.75" x 4.50")

Thermostat guard: F29-0198

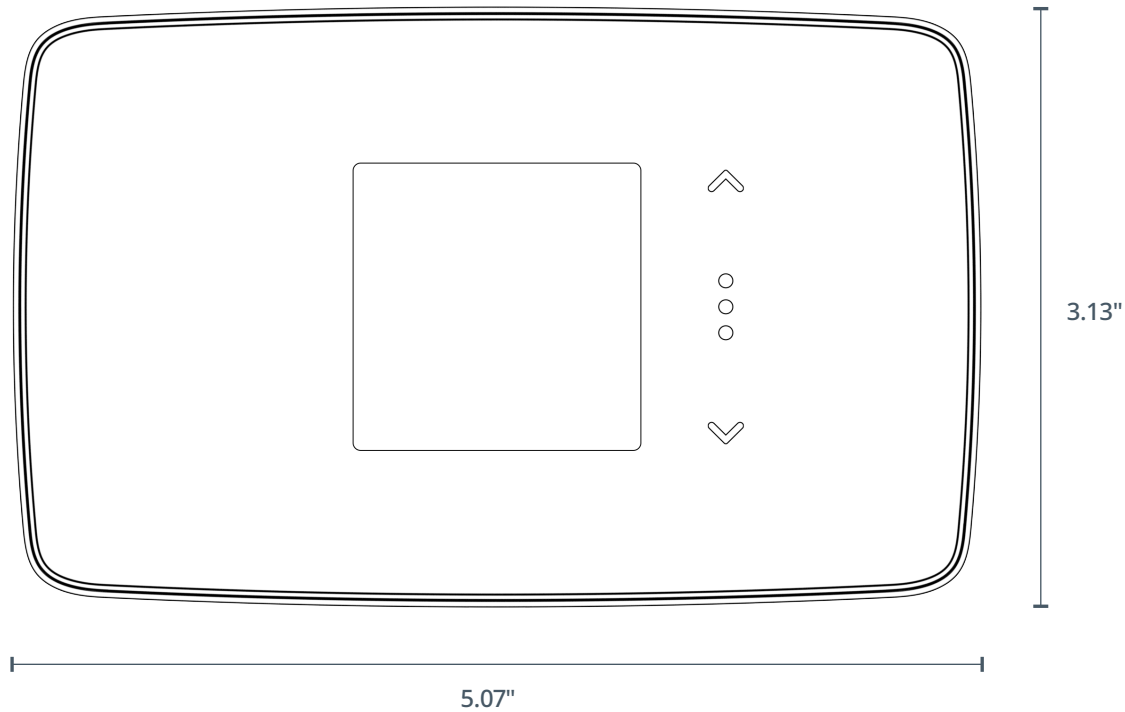


1F96U-42WF

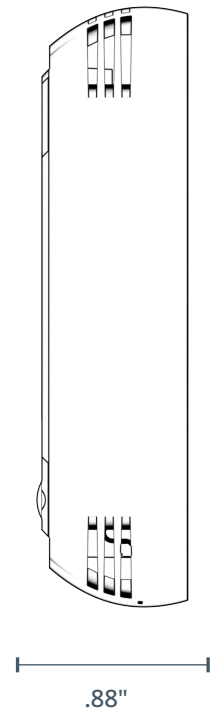
Dimensions

IMAGES ARE TO SCALE

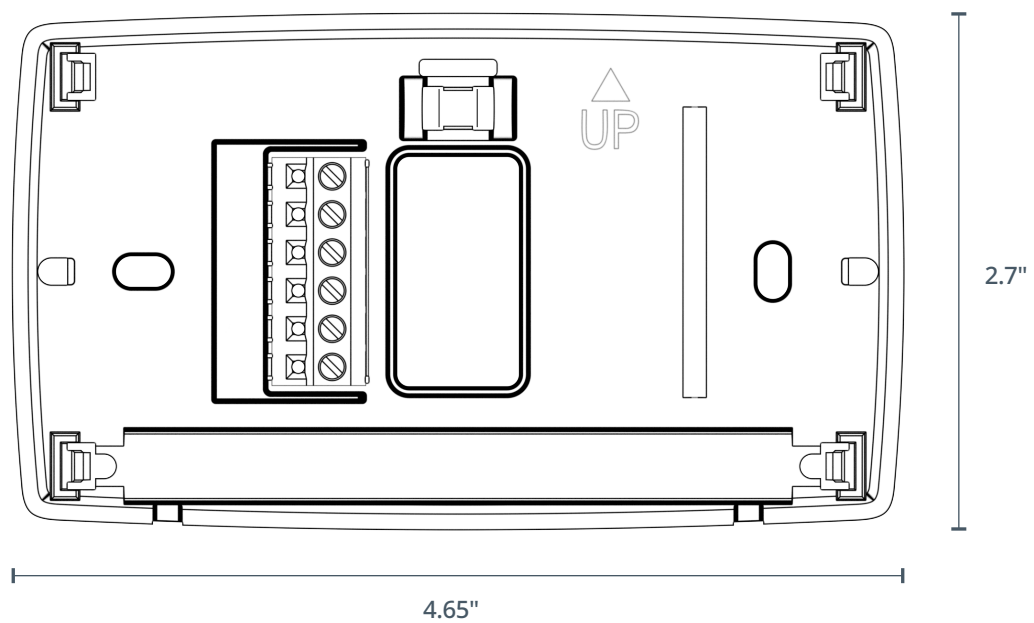
Thermostat front



Thermostat side



Thermostat backplate



SENSI.EMERSON.COM

* For full details, review the Sensi Privacy Policy at <https://sensi.emerson.com/en-us/legal>. Note: if you sign up for a program with a third party, such as a utility or controller, details and terms for that program are between you and the third party, not Emerson, and may include additional data collection. Certain add-on services require additional data to operate as intended. These services are not required and are optional.

Amazon, Alexa and all related logos are trademarks of Amazon.com, Inc. or its affiliates.
Google is a trademark of Google LLC.

The Sensi and Emerson logos are trademarks and service marks of Emerson Electric Co. All rights reserved.

R-5706

